

GLOBE CONTROL VALVE

Class 300, Threaded End, Automated



LINVO VALVE



LINUO THREADED GLOBE CONTROL VALVES

The GCV Control Valve series offers a light weight, economical valve with low pressure drop, maximum flow capacity, and reliable operation.

METAL SEATED or SOFT - Depending on your shut-off requirements.

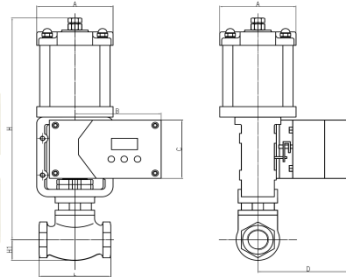
CHARACTERISTICS - Valves can have linear trim or equal percentage.

TRIM OPTIONS - Full Cv or reduced trim options are available.

AUTOMATED - Valves are provided fully automated with SR actuators.

FEATURES:

- **SIZES ½" through 2"**
- **Threaded Ends**
- **CS or SS Bodies**
- **Metal Seated – Class IV**
- **Soft Seated – Class VI**
- **Throttling or ON/OFF**
- **Metal Seated -20 to 400F**
- **Soft Seated -20 to 300°F**
- **Positioners Available**



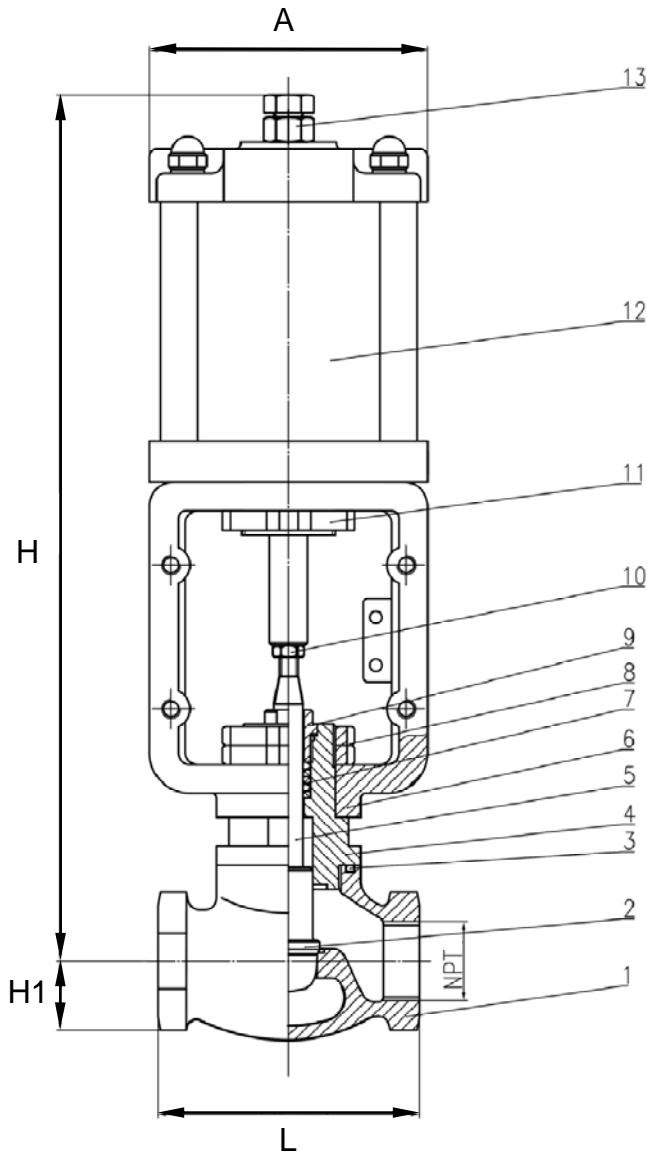
Compact and economical, these valves are ideal for utility service or process applications. Call us to discuss your needs.

TRIM OPTIONS FOR GLOBE CONTROL VALVES

	1/2"			3/4"			1"			1-1/4"			1-1/2"			2"		
Seat Diameter mm	8	10	15	10	15	20	15	20	25	20	25	32	25	32	40	32	40	50
Cv	0.6	1.6	4.4	1.6	4.4	6.3	4.4	6.3	10	6.3	10	17	10	17	24	17	24	44

Actuator TYPE	TRAVEL in.	Spring RANGE	Min. Air SUPPLY	ALLOWABLE DIFFERENTIAL PRESSURE - psi					
				1/2"	3/4"	1"	1-1/4"	1-1/2"	2"
ZDL100	0.6	26 - 51	60 psi	725	508	334	203	131	73
ZDL125	1.0	26 - 51	60 psi					247	160

Additional actuator sizes are available. Contact Linuo with your specific application requirements.



Design and manufacture as per IEC60534.
Inspection and testing as per GB/T4213-2008.

MATERIALS of CONSTRUCTION

No.	PART NAME	MATERIAL
1	Body	WCB, CF8, CF8M
2	Plug	304 or 316 w/Stel or PTFE
3	O-Ring	Viton
4	Bonnet	WCB, CF8, CF8M
5	Stem	17-4PH, 304, 316
6	Bracket	Q235
7	Packing	PTFE
8	Nut	Steel
9	Packing Bushing	304
10	Nut	Steel
11	Nut	Steel
12	Cylinder	Steel
13	Bolt	304

DIMENSIONS

units: in

Size - NPT	A	H	H1	L
1/2"	4.6	13.9	1.1	3.5
3/4"	4.6	14.0	1.2	3.5
1"	4.6	14.3	1.3	4.3
1-1/4"	4.6	14.6	1.5	4.9
1-1/2"	5.6	15.6	2.0	5.4
2"	5.6	15.9	2.3	6.7

WEIGHT of Valve with Actuator

units:lbs

Size - NPT	Weight
1/2"	18
3/4"	19
1"	20
1-1/4"	23
1-1/2"	28
2"	30



How To Order – Globe Control Valves

LCV / 01 / GCV / S3 / M / N / 10C

1 2 3 4 5 6 7 8

1 Linuo Valve Series

LCV	Linuo Control Valve
-----	---------------------

2 Valve Size

05 = 1/2"	01 = 1"	15 = 1-1/2"
07 = 3/4"	13 = 1-1/4"	02 = 2"

3 Valve Style

GCV	Globe Valve, Class 300
-----	------------------------

4 Body Material

C3	WCB Carbon Steel
S3	CF8M Stainless Steel - SS316
P3	CF8 Stainless Steel - SS304

5 Seat

M	Metal Seated - Stellite
S	Soft Seated - PTFE

6 End Connection

N	NPT Threaded End
---	------------------

7 Cv

0.63	4.4	10	24	
1.6	6.3	17	11	

8 Fail Position

C	Fail Closed
O	Fail Open
L	Fail Last

<p>Linuo Valve 21 Sullivan Parkway Fort Edward, NY 12828 sales@linuovalves.com 518-747-2748</p>	     
--------------------------------------------------------------------------------------------------------------------------------------------------------------------------------------------	------------------------------------------------------------------------------------------------------------------------------------------------------------------------------------------------------------------------------------------------------------------------------------------------------------------------------------------------------------------------------------------------------------------------------------------------------------------------------------------------------------------------------

LGCV12/2011 Specifications are subject to change.

