

BALL VALVE

3PC HP - METAL SEATED



Linuo Valves

Series HP41Q Ball Valve

3-Pc Ball Valve, ANSI 2500 NPT/SW, Metal Seated

Economical Bar Stock Design.
 High Pressure Metal Seated Valve.
 Perfect for high pressure, dirty service.
 Available per NACE MR 0175.
 Easy to Automate!

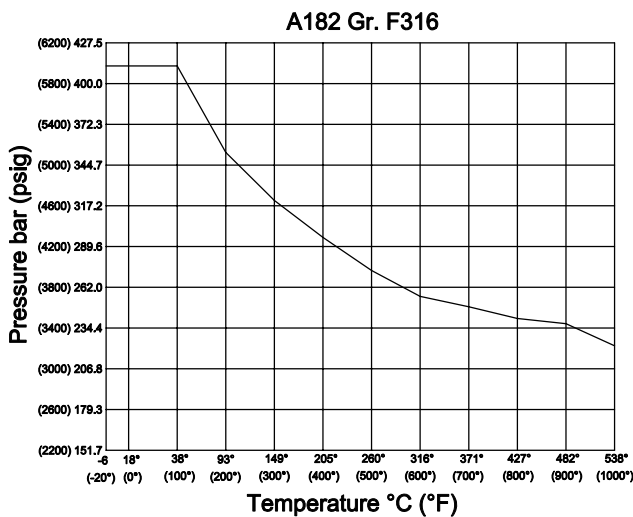


Features:

- 3-piece Construction
- Blow-out Proof Stem
- Inherent Fire Safe Design
- Self Adjusting Stem Seals
- Available in NPT or SWE
- Metal Seat for Low Abrasion

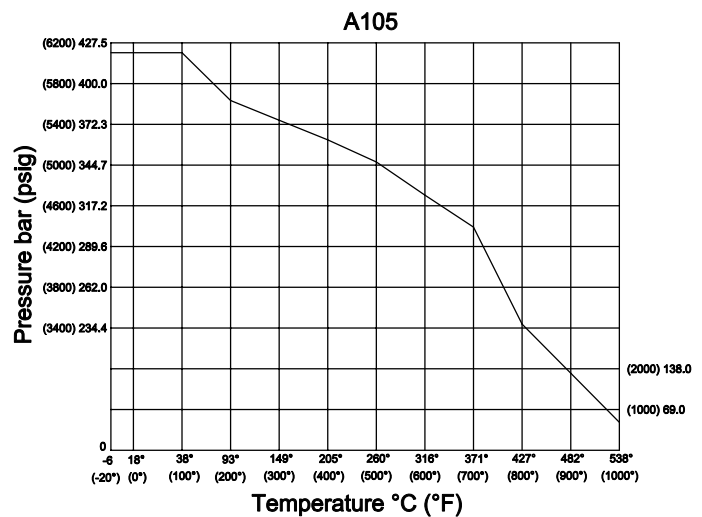
Available Materials:

- Body: A182 F316 or ASTM A105 CS
- Ball: 316SS with Stellite or TC
- Seat: 316SS with Stellite or TC



Note :

At temperatures over 1000°F, use only when the carbon content is 0.04% or higher.



Note :

- (1) Upon prolonged exposure to temperature above 800°F, the carbide phase of steel may be converted to graphite. Permissible, but not recommended for prolonged use 800°F.
- (2) Only killed steel shall be used above 850°F.

Linuo Valves

Series HP41Q Ball Valve

3-Pc Ball Valve, ANSI 2500 NPT/SW, Metal Seated

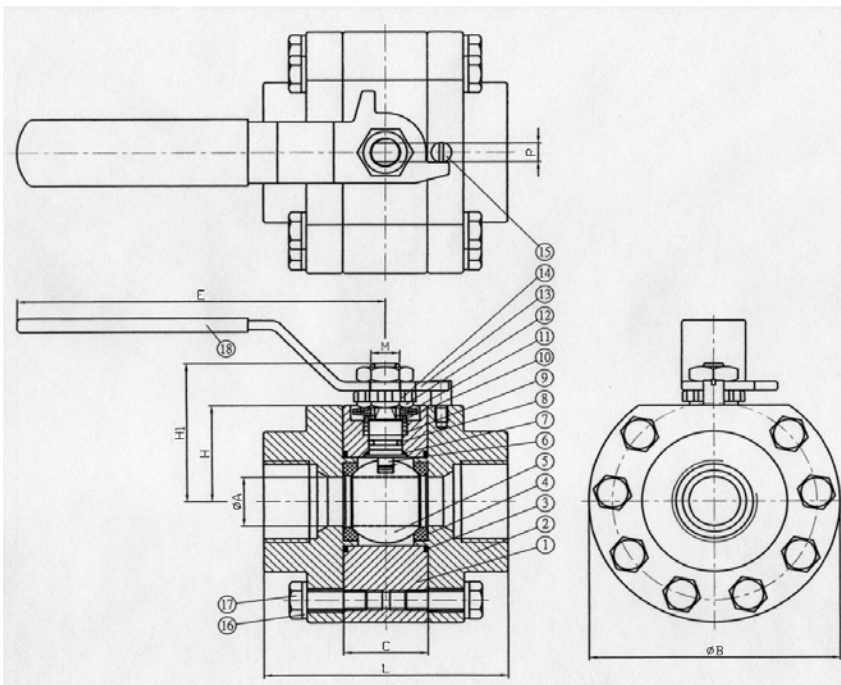
DIMENSIONS

Unit: mm

Size	A	B	C	E	H	H1	L	ØM	P
1/4"	97.0	76.0	25.0	142.0	29.0	42.0	75.0	M12	9.0
3/8"	11.6	76.0	25.0	142.0	29.0	42.0	75.0	M12	9.0
1/2"	12.5	76.0	25.0	142.0	29.0	42.0	75.0	M12	9.0
3/4"	15.0	84.0	33.0	142.0	35.0	48.3	85.0	M12	9.0
1"	20.0	98.0	33.0	162.0	39.2	54.0	95.0	M12	9.0
1-1/4"	25.0	107.0	41.0	162.0	42.8	57.6	108.0	M12	9.0
1-1/2"	32.0	130.0	50.0	200.0	51.5	73.0	128.0	M18	14.0
2"	38.0	146.0	56.0	200.0	57.5	79.0	156.0	M18	14.0

MATERIALS

NO.	PART NAME	MATERIAL
1	BODY	CF8M/WCB
2	END CAP	CF8M/WCB
3	BODY SEAL	Graphite
4	SEAT	316+Stellite or TC
5	BALL	316+Stellite or TC
6	STEM	SS316
7	THRUST WASHER	Metal
8	INTERMEDIATE RING	Graphite
9	STEM PACKING	Graphite
10	GLAND	SS304
11	BELLVILLE WASHER	SS304
12	STEM NUT	SS304
13	HANDLE LEVER	SS304
14	LOCK WASHER	SS304
15	STOP PIN	SS304
16	BOLT WASHER	SS304
17	BOLT	SS304
18	HANDLE COVER	PLASTIC



For Linuo Products contact:
 Linuo Valves USA, 21 Sullivan Parkway, Fort Edward, NY 12828
 Phone 518-747-2748 Fax 866-472-7030
sales@linuovalves.com

