

BALL VALVE 600# - METAL SEATED





Linuo

Valves

Series 52Q Ball Valve

2-Pc Ball Valve, 600# Flanged, Metal Seated

Economical Metal Seated Valve.
 Bracket Set Available.
 Great for dirty, slurry service.
 Higher Temperature + 650° F Service.
 Seal Master Packing is Standard.
 Valves on the Shelf; Ready Now!
 Please consult Linuo Valves for
 severe service application details.

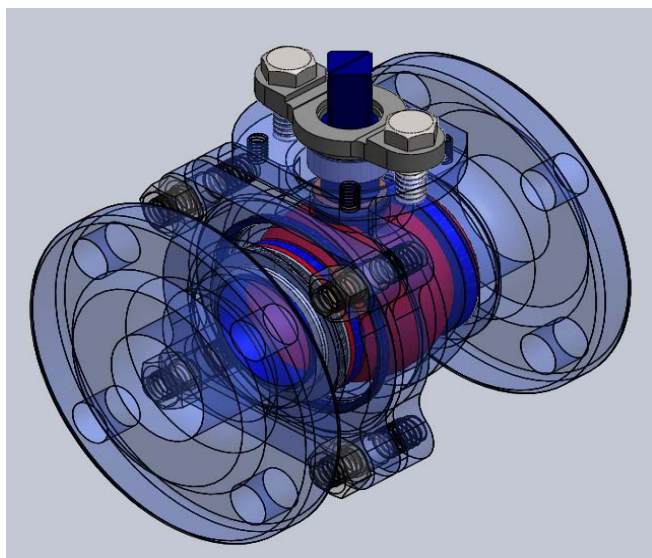


Features:

- 2-Piece Construction
- Full Port Design
- 600 # rated
- Flanged
- Anti-Static Design
- Blow-Out Proof Stem
- 4°F to 1022°F Temperature Range
- Locking Lever Handle

Available Materials:

- Body: 316 Stainless Steel or WCB
- Trim: Chrome Plated Ball
- Seat: Stellite



Valve Torque in In-Lb and Cv		
Size	Torque	Cv
1/2"	100	25
3/4"	200	75
1"	700	100
1-1/4"	850	150
1-1/2"	1000	200
2"	1466	430
2-1/2"	2230	850
3"	3809	1020
4"	7786	2000
5"	15266	3500
6"	22627	5500

Torques are based on #600 Clean water service.
 Consult factory for higher pressures & temperatures

Linuo Valves

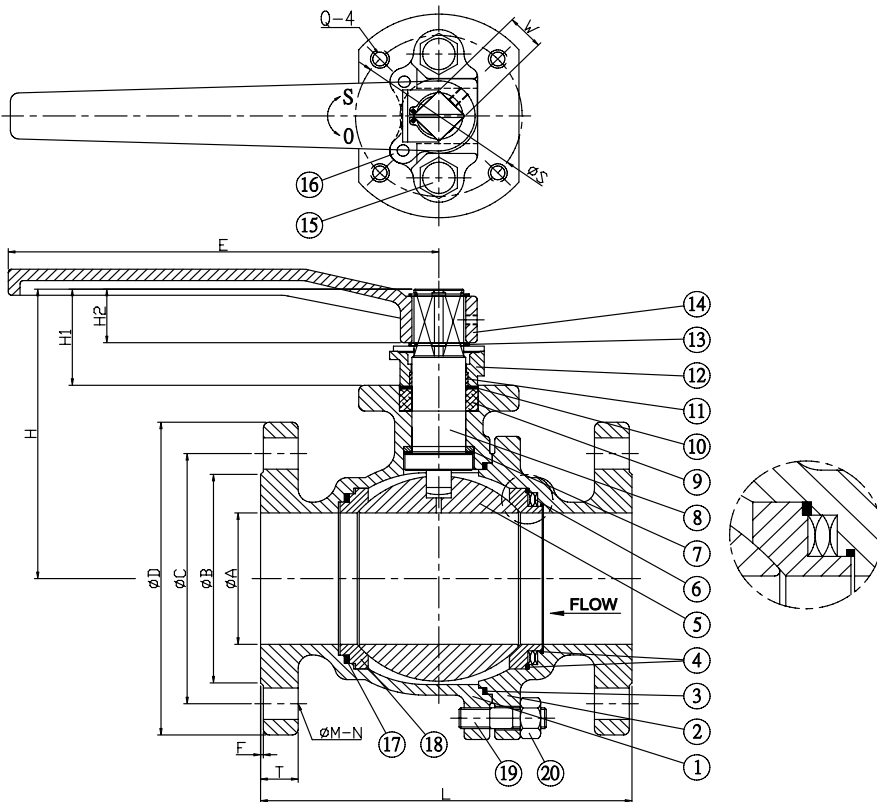
Series 52Q Ball Valve

2-Pc Ball Valve, 600# Flanged, Metal Seated

DIMENSIONS

Unit : Inch

Valve Size	A	B	C	D	E	F	H	H1	H2	L	W	S	T	Q	ØM-N	F-Mount
1/2"	0.591	1.380	2.620	3.750	5.150	0.250	2.587	0.894	0.492	6.496	0.433	1.654	0.560	1/4"-20	Ø0.620-4	F4/11mm
3/4"	0.787	1.690	3.250	4.620	5.150	0.250	2.685	0.886	0.492	7.480	0.433	1.654	0.620	1/4"-20	Ø0.750-4	
1"	0.984	2.000	3.500	4.880	6.496	0.250	3.173	1.154	0.610	8.504	0.551	1.969	0.690	1/4"-20	Ø0.750-4	F5/14mm
1-1/4"	1.260	2.500	3.880	5.250	6.496	0.250	3.406	1.154	0.610	9.016	0.551	1.969	0.810	1/4"-20	Ø0.750-4	
1-1/2"	1.496	2.880	4.500	6.120	7.953	0.250	4.287	1.512	0.846	9.488	0.669	2.756	0.880	5/16"-18	Ø0.880-4	
2"	1.969	3.620	5.000	6.500	7.953	0.250	4.587	1.512	0.846	11.496	0.669	2.756	1.000	5/16"-18	Ø0.750-8	F7/17mm
2-1/2"	2.480	4.120	5.880	7.500	7.953	0.250	5.472	1.512	0.846	12.992	0.669	2.756	1.120	5/16"-18	Ø0.880-8	
3"	3.150	5.000	6.620	8.250	12.933	0.250	6.669	2.295	1.240	14.018	0.866	4.016	1.250	3/8"-16	Ø0.880-8	F10/22mm
4"	3.858	6.190	8.500	10.750	12.933	0.250	7.610	2.374	1.303	17.008	0.866	4.016	1.500	3/8"-16	Ø1.000-8	
5"	4.921	7.310	10.500	13.000	29.626	0.250	9.331	2.953	1.791	20.000	1.063	4.921	1.750	1/2"-13	Ø1.120-8	F12/27mm
6"	5.906	8.500	11.500	14.000	29.626	0.250	10.079	2.953	1.791	22.001	1.063	4.921	1.880	1/2"-13	Ø1.120-12	



MATERIALS

NO.	PART NAME	MATERIAL
1	BODY	CF8M / WCB
2	END CAP	CF8M / WCB
3	BODY SEAL	SS 316+GRAPHITE
4	SEAL	GRAPHITE
5	SPRING	INCONLE X-750
6	BALL	SS 316 +Hard Chrome Plated
7	THRUST WASHER	PTFE.+GRAPHITE
8	STEM	SS 316 / 304
9	STEM PACKING	GRAPHITE
10	GLAND WASHER	PTFE.
11	GLAND BEARING	PTFE.
12	GLAND	SS 304
13	SNAP RING	SS 304
14	HANDLE	FCD45
15	BOLT	SS 304
16	STOP PLATE	SS 304
17	INSERT SEAL	GRAPHITE
18	METAL SEAT	SS 316+Solder Stellite #6
19	STUD	ASTM A193 Gr. B8
20	NUT	ASTM A194 Gr. 8

For Linuo Products contact:
 Linuo Valves USA, 21 Sullivan Parkway, Fort Edward, NY 12828
 Phone 518-747-2748 Fax 866-472-7030
 sales@linuovalves.com

