

# BALL VALVE

## 300# - METAL SEATED





# Linuo

# Valves

## Series 52Q Ball Valve

### 2-Pc Ball Valve, 300# Flanged, Metal Seated

Economical Metal Seated Valve.  
 Bracket Set Available.  
 Great for dirty, slurry service.  
 Higher Temperature + 650° F Service.  
 Live Loaded Packing is Standard.  
 Valves on the Shelf; Ready Now!  
 Please consult Linuo for  
 severe service application details.

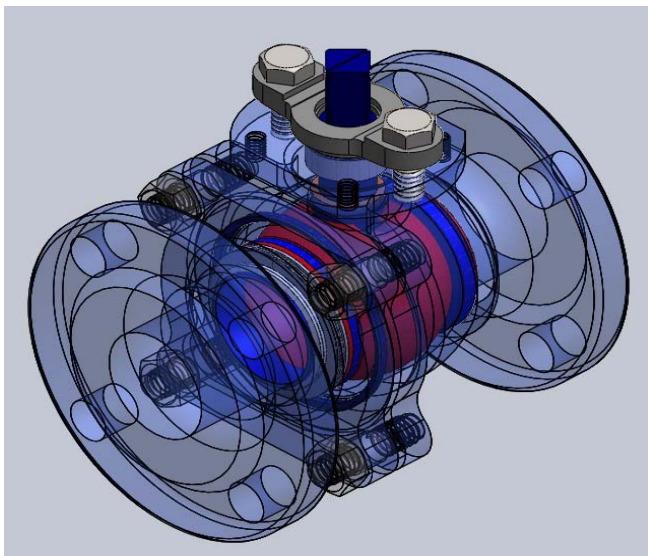


#### Features:

- 2-Piece Construction
- Full Port Design
- 300 # rated
- Flanged
- Anti-Static Design
- Blow-Out Proof Stem
- 4°F to 1022°F Temperature Range
- Locking Lever Handle

#### Available Materials:

- Body: 316 Stainless Steel or WCB
- Trim: Chrome Plated Ball
- Seat: Stellite



Valve Torque in In-Lb and Cv		
Size	Torque	Cv
1/2"	75	25
3/4"	150	75
1"	300	100
1-1/4"	410	150
1-1/2"	500	200
2"	743	430
2-1/2"	1250	850
3"	1929	1020
4"	3932	2000
5"	8500	3500
6"	11392	5500

Torques are based on #300 Clean water service.  
 Consult factory for higher pressures & temperatures



# Linuo



# Linuo

## Valves

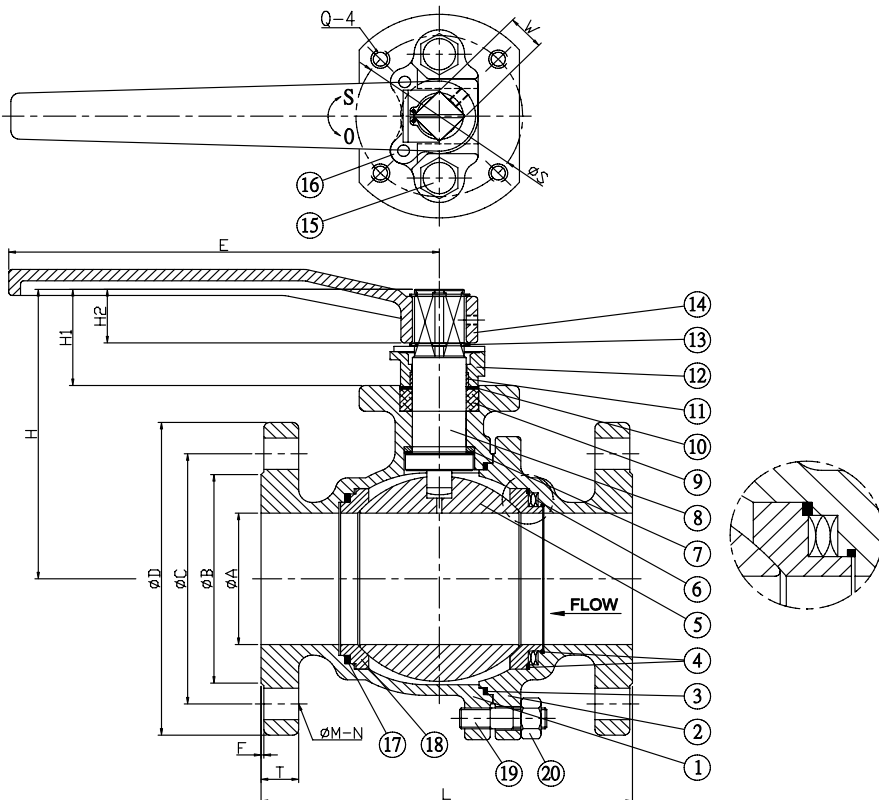
### Series 52Q Ball Valve

### 2-Pc Ball Valve, 300# Flanged, Metal Seated

#### DIMENSIONS

Unit : Inch

Valve Size	A	B	C	D	E	F	H	H1	H2	L	W	S	T	Q	ØM-N	F-Mount
1/2"	0.591	1.380	2.620	3.750	5.150	0.060	2.587	0.894	0.492	5.512	0.433	1.654	0.560	1/4"-20	Ø0.620-4	F4/11mm
3/4"	0.787	1.690	3.250	4.620	5.150	0.060	2.685	0.886	0.492	5.984	0.433	1.654	0.620	1/4"-20	Ø0.750-4	F4/11mm
1"	0.984	2.000	3.500	4.880	6.496	0.060	3.173	1.154	0.610	6.496	0.551	1.969	0.690	1/4"-20	Ø0.750-4	F5/14mm
1-1/4"	1.260	2.500	3.880	5.250	6.496	0.060	3.406	1.154	0.610	7.008	0.551	1.969	0.750	1/4"-20	Ø0.750-4	F5/14mm
1-1/2"	1.496	2.880	4.500	6.120	7.953	0.060	4.287	1.512	0.846	7.480	0.669	2.756	0.810	5/16"-18	Ø0.880-4	F7/17mm
2"	1.969	3.620	5.000	6.500	7.953	0.060	4.587	1.512	0.846	8.504	0.669	2.756	0.880	5/16"-18	Ø0.750-8	F7/17mm
2-1/2"	2.480	4.120	5.880	7.500	7.953	0.060	5.472	1.512	0.846	9.488	0.669	2.756	1.000	5/16"-18	Ø0.880-8	F7/17mm
3"	3.150	5.000	6.620	8.250	12.933	0.060	6.669	2.295	1.240	11.102	0.866	4.016	1.120	3/8"-16	Ø0.880-8	F10/22mm
4"	3.858	6.190	7.880	10.000	12.933	0.060	7.610	2.374	1.303	12.008	0.866	4.016	1.250	3/8"-16	Ø0.880-8	F10/22mm
5"	4.921	7.310	9.250	11.000	29.626	0.060	9.331	2.953	1.791	15.000	1.063	4.921	1.380	1/2"-13	Ø0.880-8	F12/27mm
6"	5.906	8.500	10.620	12.500	29.626	0.060	10.079	2.953	1.791	15.866	1.063	4.921	1.440	1/2"-13	Ø0.880-12	F12/27mm
8"	7.874	10.620	13.000	15.000	32.126	0.060	12.815	2.913	1.713	19.764	1.417	5.512	1.620	5/8"-11	Ø1.000-12	F14/36mm
10"	9.843	12.750	15.250	17.500	40.000	0.060	15.394	4.567	2.736	22.362	1.811	6.496	1.880	3/4"-10	Ø1.120-16	F16/46mm



#### MATERIALS

NO.	PART NAME	MATERIAL
1	BODY	CF8M / WCB
2	END CAP	CF8M / WCB
3	BODY SEAL	SS 316+GRAPHITE
4	SEAL	GRAPHITE
5	SPRING	INCONLE X-750
6	BALL	SS 316 +Hard Chrome Plated
7	THRUST WASHER	PTFE.+GRAPHITE
8	STEM	SS 316 / 304
9	STEM PACKING	GRAPHITE
10	GLAND WASHER	PTFE.
11	GLAND BEARING	PTFE.
12	GLAND	SS 304
13	SNAP RING	SS 304
14	HANDLE	FCD45
15	BOLT	SS 304
16	STOP PLATE	SS 304
17	INSERT SEAL	GRAPHITE
18	METAL SEAT	SS 316+Solder Stellite #6
19	STUD	ASTM A193 Gr. B8
20	NUT	ASTM A194 Gr. 8

For Linuo Products contact:

Linuo Valves USA, 21 Sullivan Parkway, Fort Edward, NY 12828

Phone 518-747-2748 Fax 866-472-7030

sales@linuovalves.com

