

BALL VALVE

150# - METAL SEATED





Linuo

Valves

Series 52Q Ball Valve

2-Pc Ball Valve, 150# Flanged, Metal Seated

Economical Metal Seated Valve.
 Bracket Set Available.
 Great for dirty, slurry service.
 Higher Temperature + 650° F Service.
 Live Loaded Packing is Standard.
 Valves on the Shelf; Ready Now!
 Please consult Linuo Valves for
 severe service application details.

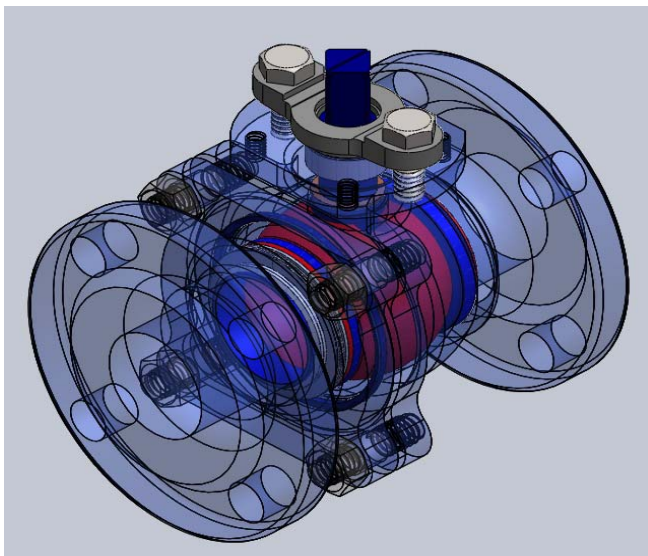


Features:

- 2-Piece Construction
- Full Port Design
- 150 # rated
- Flanged
- Anti-Static Design
- Blow-Out Proof Stem
- 4°F to 1022°F Temperature Range
- Locking Lever Handle

Available Materials:

- Body: 316 Stainless Steel or WCB
- Trim: Chrome Plated Ball
- Seat: Stellite



Valve Torque in In-Lb and Cv		
Size	Torque	Cv
1/2"	75	25
3/4"	100	75
1"	250	100
1-1/4"	275	150
1-1/2"	300	200
2"	381	430
2-1/2"	850	850
3"	989	1020
4"	2004	2000
5"	4900	3500
6"	5774	5500

Torques are based on #150 Clean water service.
 Consult factory for higher pressures & temperatures



Linuo

Valves

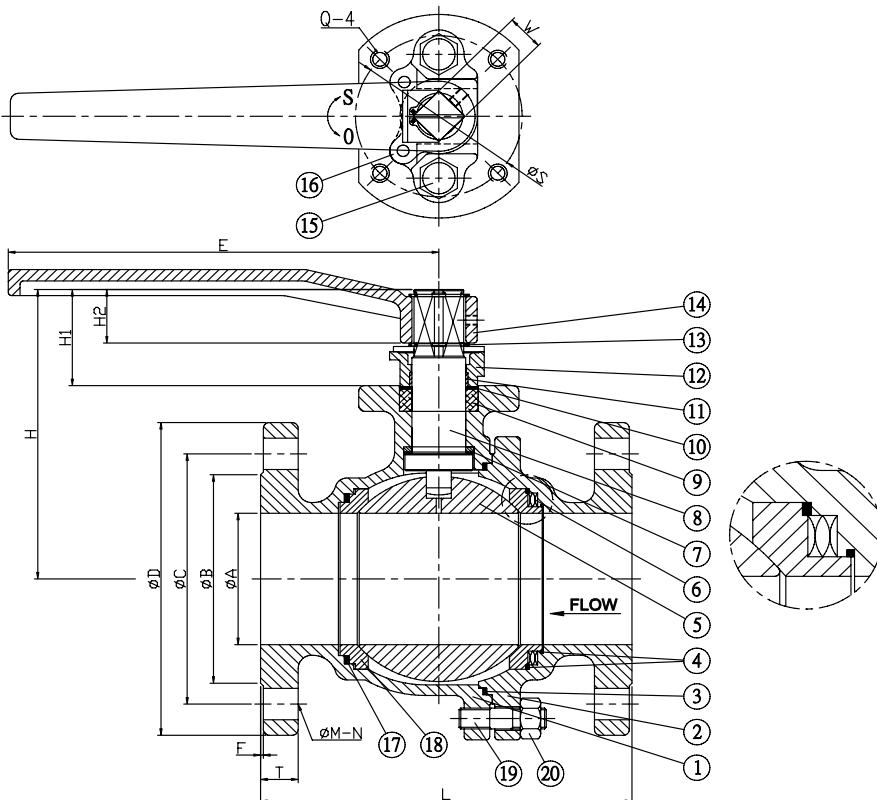
Series 52Q Ball Valve

2-Pc Ball Valve, 150# Flanged, Metal Seated

DIMENSIONS

Unit : Inch

Valve Size	A	B	C	D	E	F	H	H1	H2	L	W	S	T	Q	ØM-N	F-Mount
1/2"	0.591	1.380	2.380	3.500	5.150	0.060	2.587	0.894	0.492	4.252	0.433	1.654	0.440	1/4"-20	Ø0.620-4	F4/11mm
3/4"	0.787	1.690	2.750	3.880	5.150	0.060	2.685	0.886	0.492	4.606	0.433	1.654	0.440	1/4"-20	Ø0.620-4	F4/11mm
1"	0.984	2.000	3.120	4.250	6.496	0.060	3.173	1.154	0.610	5.000	0.551	1.969	0.440	1/4"-20	Ø0.620-4	F5/14mm
1-1/4"	1.260	2.500	3.500	4.620	6.496	0.060	3.406	1.154	0.610	5.512	0.551	1.969	0.500	1/4"-20	Ø0.620-4	F5/14mm
1-1/2"	1.496	2.880	3.880	5.000	7.953	0.060	4.287	1.512	0.846	6.496	0.669	2.756	0.560	5/16"-18	Ø0.620-4	F7/17mm
2"	1.969	3.620	4.750	6.000	7.953	0.060	4.587	1.512	0.846	7.008	0.669	2.756	0.620	5/16"-18	Ø0.750-4	F7/17mm
2-1/2"	2.480	4.120	5.500	7.000	7.953	0.060	5.472	1.512	0.846	7.480	0.669	2.756	0.690	5/16"-18	Ø0.750-4	F7/17mm
3"	3.150	5.000	6.000	7.500	12.933	0.060	6.669	2.295	1.240	7.992	0.866	4.016	0.750	3/8"-16	Ø0.750-4	F10/22mm
4"	3.858	6.190	7.500	9.000	12.933	0.060	7.610	2.374	1.303	9.016	0.866	4.016	0.940	3/8"-16	Ø0.750-8	F10/22mm
5"	4.921	7.310	8.500	10.000	29.626	0.060	9.331	2.953	1.791	14.016	1.063	4.921	0.940	1/2"-13	Ø0.880-8	F12/27mm
6"	5.906	8.500	9.500	11.000	29.626	0.060	10.079	2.953	1.791	15.512	1.063	4.921	1.000	1/2"-13	Ø0.880-8	F12/27mm
8"	7.874	10.620	11.750	13.500	32.126	0.060	12.815	2.913	1.713	17.992	1.417	5.512	1.120	5/8"-11	Ø0.880-8	F14/36mm
10"	9.843	12.750	14.250	16.000	40.000	0.060	15.394	4.567	2.736	20.984	1.811	6.496	1.190	3/4"-10	Ø1.000-12	F16/46mm



MATERIALS

NO.	PART NAME	MATERIAL
1	BODY	CF8M / WCB
2	END CAP	CF8M / WCB
3	BODY SEAL	SS 316+GRAPHITE
4	SEAL	GRAPHITE
5	SPRING	INCONLE X-750
6	BALL	SS 316 +Hard Chrome Plated
7	THRUST WASHER	PTFE.+GRAPHITE
8	STEM	SS 316 / 304
9	STEM PACKING	GRAPHITE
10	GLAND WASHER	PTFE.
11	GLAND BEARING	PTFE.
12	GLAND	SS 304
13	SNAP RING	SS 304
14	HANDLE	FCD45
15	BOLT	SS 304
16	STOP PLATE	SS 304
17	INSERT SEAL	GRAPHITE
18	METAL SEAT	SS 316+Solder Stellite #6
19	STUD	ASTM A193 Gr. B8
20	NUT	ASTM A194 Gr. 8

For Linuo Products contact:

Linuo Valves USA, 21 Sullivan Parkway, Fort Edward, NY 12828

Phone 518-747-2748 Fax 866-472-7030

sales@linuovalves.com

