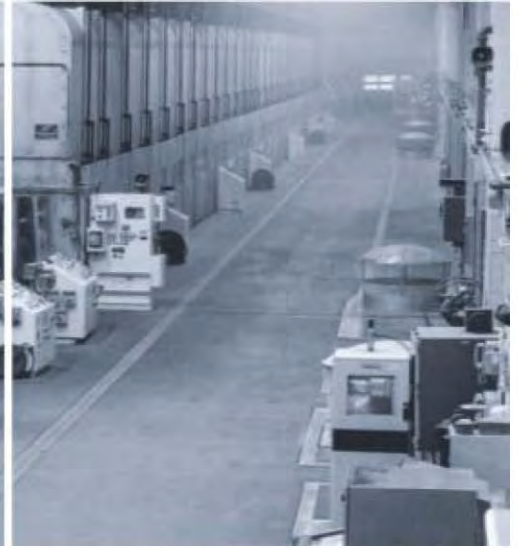
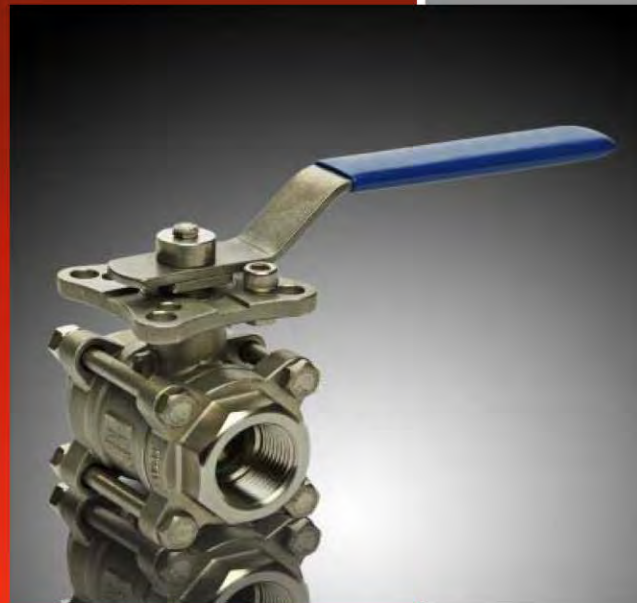


# 3PC NPT/SWE BALL VALVE 1000 WOG Metal Seated



*Direct mount  
metal seated  
valves ~ rugged  
construction, easy  
automation.*





# LINUO 3-Piece METAL SEATED BALL VALVES

**ECONOMICAL** metal seated valve for industrial service.

**DIRECT MOUNT** for simple automation. Square stem means no bracket OR coupler required! Or, we can provide bracket sets if you want them. Extended sets to get actuators away from high temperature process lines.

**FOR SERVICE** up to 600°F, 1000psig.

**GREAT FOR SLURRY SERVICE** or for other dirty media.

## FEATURES:

- **SWE or NPT**
- **DIRECT MOUNT**
- **1000WOG Rated**
- **Live Loaded Packing - Standard**
- **Available in CS and SS**
- **FULL Port**
- **ANTI-STATIC Design**
- **BLOW-OUT Proof Stem**
- **In-Line Repairable – Swing-out Body**
- **SIZES ½” through 2”**

- Ball and seats lapped for tight shutoff and superior performance.
- Valves standard as Class V shutoff. Tighter shutoff on request.
- Ball/seat spring loaded to assure tight shutoff even at low pressure.
- Stem bearing ensures minimum side thrust effect on packing.
- Full port provides unrestricted flow path to prevent accumulation.
- Valves with graphite seat seal and packing inherently fire safe.

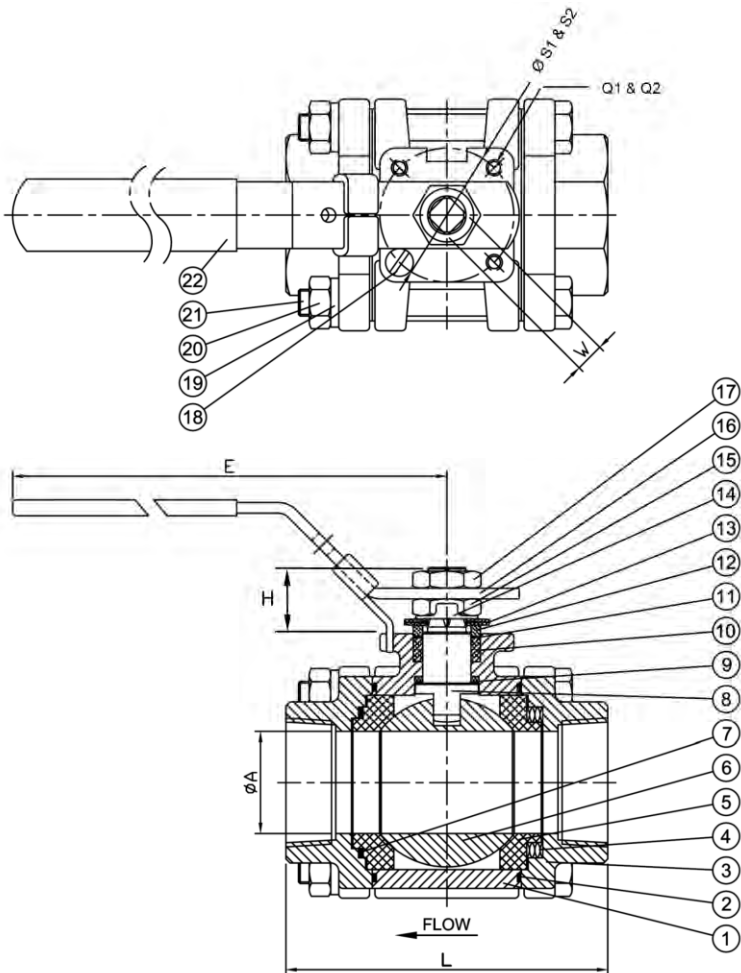
Valve Torque in In-Lb and Cv		
Size	Torque	Cv
1/2"	150	15
3/4"	175	35
1"	200	58
1-1/4"	400	85
1-1/2"	600	121
2"	800	242



Let us help you  
with a complete automation  
package!  
We offer a full line of  
automation accessories!

Torque does not include safety factor.  
Torques given are for clean water service.

Specifications subject to change.



**MATERIALS of CONSTRUCTION**

No.	PART NAME	MATERIAL
1	BODY	CF8M / WCB
2	BODY SEAL	GRAPHITE
3	END CAP	CF8M / WCB
4	SEAT SPRING	INCONEL X-750
5	SEAT	SS316+Stellite
6	BALL	CF8M+Chrome
7	SEAT SEAL	GRAPHITE
8	STEM	SS316 / SS304
9	THRUST WASHER	GRAPHITE+PTFE
10	STEM PACKING	GRAPHITE
11	GLAND WASHER	PTFE
12	GLAND	SS304
13	BELLVILLE WASHER	SS304
14	STOP WASHER	SS304
15	STEM NUT	SS304
16	HANDLE	SS304
17	HANDLE NUT	SS304
18	STOP PIN	SS304
19	BOLT WASHER	SS304
20	NUT	SS304
21	BOLT	SS304
22	HANDLE COVER	PLASTIC

**DIMENSIONS (mm except where noted)**

SIZE	L (in)	ØA (in)	E (in)	H	S1	S2	ØQ1	Q2	W	ISO MOUNT
1/2"	3.35	0.59	5.31	10.00	42.00	50.00	6.50	7.50	9.00	F04/F05
3/4"	3.74	0.79	5.31	10.00	42.00	50.00	6.50	7.50	9.00	F04/F05
1"	4.13	0.98	6.69	12.00	50.00	70.00	7.50	9.50	11.00	F05/F07
1-1/4"	4.72	1.26	6.69	12.00	50.00	70.00	7.50	9.50	11.00	F05/F07
1-1/2"	5.12	1.50	8.46	16.00	70.00	102.00	9.50	11.50	14.00	F07/F10
2"	5.91	2.00	8.46	16.00	70.00	102.00	9.50	11.50	14.00	F07/F10

Specifications subject to change.





## How To Order – 3-Piece Metal Seated Ball Valves

LBM   01   34TQ / S / M / S

1                      2                      3                      4                      5                      6

- 1 Linuo Valve Series**

LBM	Linuo Ball Valve, Metal Seated
-----	--------------------------------
  
- 2 Valve Size**

05 = 1/2"	01 = 1"	15 = 1-1/2"
07 = 3/4"	13 = 1-1/4"	02 = 2"
  
- 3 Valve Style**

34TQ	3-Piece Metal Seated Valve
------	----------------------------
  
- 4 Body Material**

C	WCB Carbon Steel
S	CF8M Stainless Steel - SS316
  
- 5 Seat**

M	SS316 + Stellite
---	------------------
  
- 6 End Connection**

S	Socket Weld End
T	Threaded End

<p>Linuo Valve 21 Sullivan Parkway Ft. Edward, NY 12828 518-747-2748 www.linuovalves.com</p>	    
--	--

LBVS3M03/2015 Specifications are subject to change.