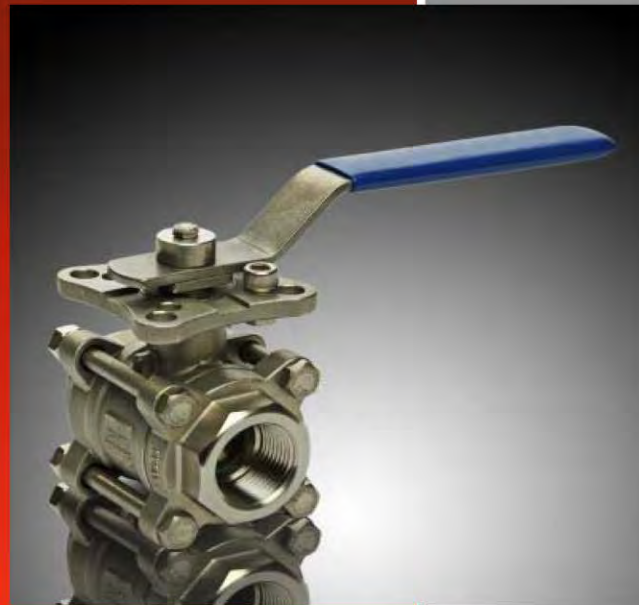


3PC NPT/SWE BALL VALVE

Model 34T1DM – Direct Mount



*Simple, trouble free,
cost-effective
valve for automation*



LINUO VALVE



34T1DM - DIRECT MOUNT SOFT SEATED VALVES

ECONOMICAL soft seated valve for industrial service.

DIRECT MOUNT for simple automation. Square stem and ISO pad mean no bracket and coupler set required!

COMPLETE automation accessories available, with assembly.

EXCELLENT for CONTROL APPLICATIONS.

LIVE LOADED design to eliminate stem leakage.

ISO 15848 fugitive emission approved.

BI-DIRECTIONAL SHUTOFF to class VI.

FOR SERVICE up to 400°F, 1000psig. Utility service, or chemical.

FEATURES:

- **SWE, NPT, or Combo Ends Available**
- **DIRECT MOUNT – ISO 5211 Pad**
- **1000WOG Rated**
- **BI-DIRECTIONAL Shutoff**
- **Available in CS and SS Body Material**
- **FULL Port**
- **ANTI-STATIC Design**
- **BLOW-OUT Proof Stem**
- **In-Line Repairable – Swing-out Body**
- **SIZES ½” through 2”**
- **Multiple packing rings and live loading ensure no stem leaks**
- **TFM 1600 Seat is standard; suitable for wide range of applications.**
- **Can be used for On/Off applications or Throttling for control.**
- **Valves are dependable, long lasting, and easy to maintain.**

Torque in In-Lb and Cv

Torque includes 30% safety; clean water service.

| Size | Torque | Cv |
|--------|--------|-------|
| 1/2" | 62 | 15.0 |
| 3/4" | 78 | 35.0 |
| 1" | 133 | 58.0 |
| 1-1/4" | 159 | 85.0 |
| 1-1/2" | 221 | 121.0 |
| 2" | 309 | 242.0 |

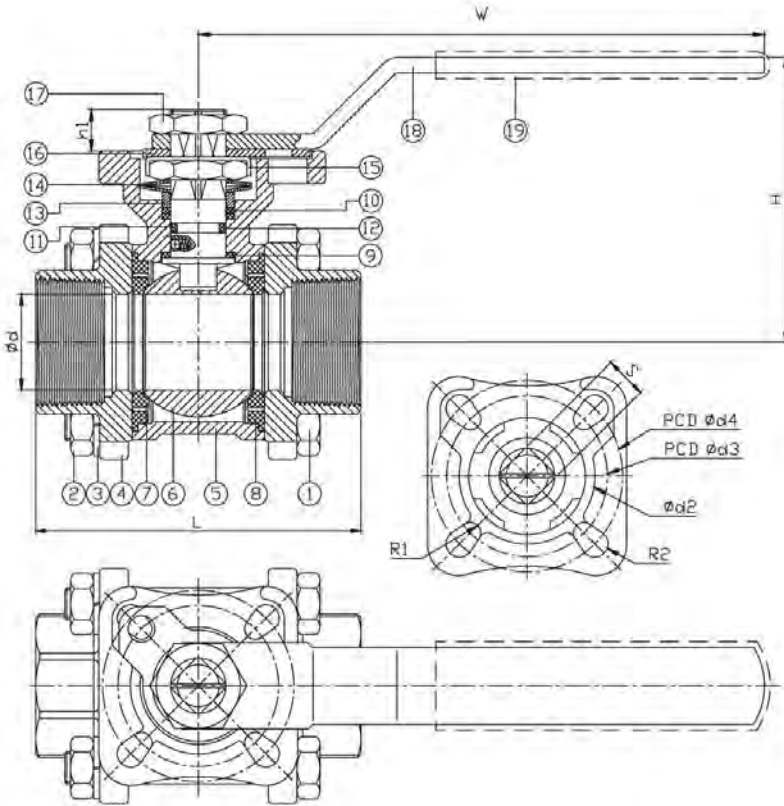


Locking lever available as an option.

Complete line of automation accessories are available. Consult your Linco representative for info.

MATERIALS OF CONSTRUCTION

| Item | Description | Material |
|------|-----------------|----------------|
| 1 | Bolt | AISI 304 |
| 2 | Nut | AISI 304 |
| 3 | Spring Washer | AISI 304 |
| 4 | End | ASTM A351-CF8M |
| 5 | Body | ASTM A351-CF8M |
| 6 | Ball | ASTM A351-CF8M |
| 7 | Seat | TFM |
| 8 | Seal | PTFE |
| 9 | Thrust Washer | PTFE |
| 10 | Packing | PTFE |
| 11 | O-Ring | Viton |
| 12 | Stem | ASTM A276-316 |
| 13 | Gland Ring | AISI 304 |
| 14 | Belville Washer | AISI 304 |
| 15 | Lock Washer | AISI 304 |
| 16 | Locking Device | AISI 304 |
| 17 | Stem Nut | AISI 304 |
| 18 | Handle | AISI 304 |
| 19 | Handle Sleeve | PVC |



DIMENSIONS

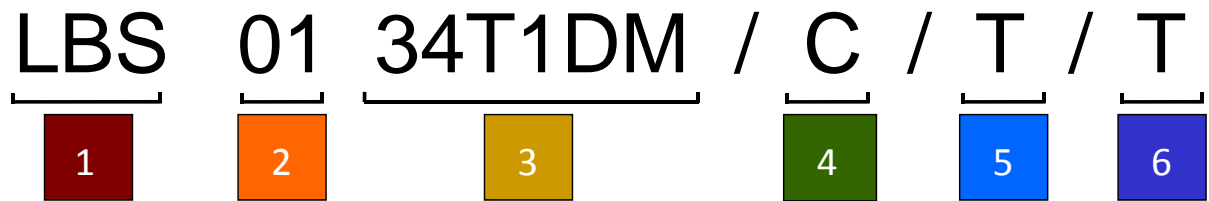
units: in

| Size | d | L | H | W | h1 | R1 | R2 | d2 | d3 | d4 | ISO 5211 | S |
|--------|------|------|------|-----|------|------|------|------|------|------|----------|-------|
| 1/2" | 0.59 | 2.56 | 2.36 | 4.7 | 0.33 | 0.11 | 0.11 | 1.22 | 1.42 | 1.65 | F03/F04 | 0.354 |
| 3/4" | 0.79 | 2.95 | 2.52 | 4.7 | 0.33 | 0.11 | 0.11 | 1.22 | 1.42 | 1.65 | F03/F04 | 0.354 |
| 1" | 0.98 | 3.35 | 2.91 | 5.8 | 0.43 | 0.11 | 0.14 | 1.40 | 1.65 | 1.97 | F04/F05 | 0.433 |
| 1-1/4" | 1.26 | 3.98 | 3.11 | 5.8 | 0.43 | 0.11 | 0.14 | 1.40 | 1.65 | 1.97 | F04/F05 | 0.433 |
| 1-1/2" | 1.50 | 4.41 | 3.74 | 7.0 | 0.53 | 0.14 | 0.18 | 2.20 | 1.97 | 2.76 | F05/F07 | 0.551 |
| 2" | 1.97 | 5.12 | 4.06 | 7.0 | 0.53 | 0.14 | 0.18 | 2.20 | 1.97 | 2.76 | F05/F07 | 0.551 |

Specifications subject to change.



How To Order – 3-Piece Soft Seated Valves



- 1 Linuo Valve Series**

| | |
|-----|-------------------------------|
| LBS | Linuo Ball Valve, Soft Seated |
|-----|-------------------------------|

- 2 Valve Size**

| | | |
|-----------|-------------|-------------|
| 05 = 1/2" | 01 = 1" | 15 = 1-1/2" |
| 07 = 3/4" | 13 = 1-1/4" | 02 = 2" |

- 3 Valve Style**

| | |
|--------|---|
| 34T1DM | 3-Piece Soft Seated Valve, Direct Mount |
|--------|---|

- 4 Body Material**

| | |
|---|----------------------------|
| C | A216 WCB Carbon Steel |
| S | CF8M SS316 Stainless Steel |

- 5 Seat**

| | |
|---|----------|
| T | TFM 1600 |
| X | Special |

- 6 End Connection**

| | |
|---|-----------------|
| S | Socket Weld End |
| T | Threaded End |

| | |
|--|--|
| <p>Linuo Valve 21 Sullivan Parkway Ft. Edward, NY 12828 518-747-2748 www.linuovalves.com</p> |      |
|--|--|

LBVS3DM2/2015 Specifications are subject to change.